

Aero Technologies, LLC

SERVICE LETTER AT2016-1

October 20, 2016

TO: Owners, Operators and Aero Technologies Service Centers.

SUBJECT: Flyweight design change.

MODEL AFFECTED: All PCU5000 and PCU5000X

SERVICE MANUAL AFFECTED: Maintenance/Overhaul Manual AT1431299 Rev. 2

This service information is to be added to the appropriate Aero Technologies Maintenance Manual until the next manual revision is released.

NEW FLYWEIGHT DESIGN TO REPLACE CURRENT DESIGN REQUIREMENTS

- 1) Current Flyweight assembly part number AT1438426 is still able to be overhauled until the supply of Safety Spring part number AT1430591 is exhausted.
- 2) New Flyweight Assembly part number AT1438504 (drawing page 2).
 - a) AT1430685, Flyweight head
 - b) AT1430522, Flyweight (requires 2)
 - c) AT4420170, Needle (requires 2)
 - d) AT4402020, pin (requires 4)

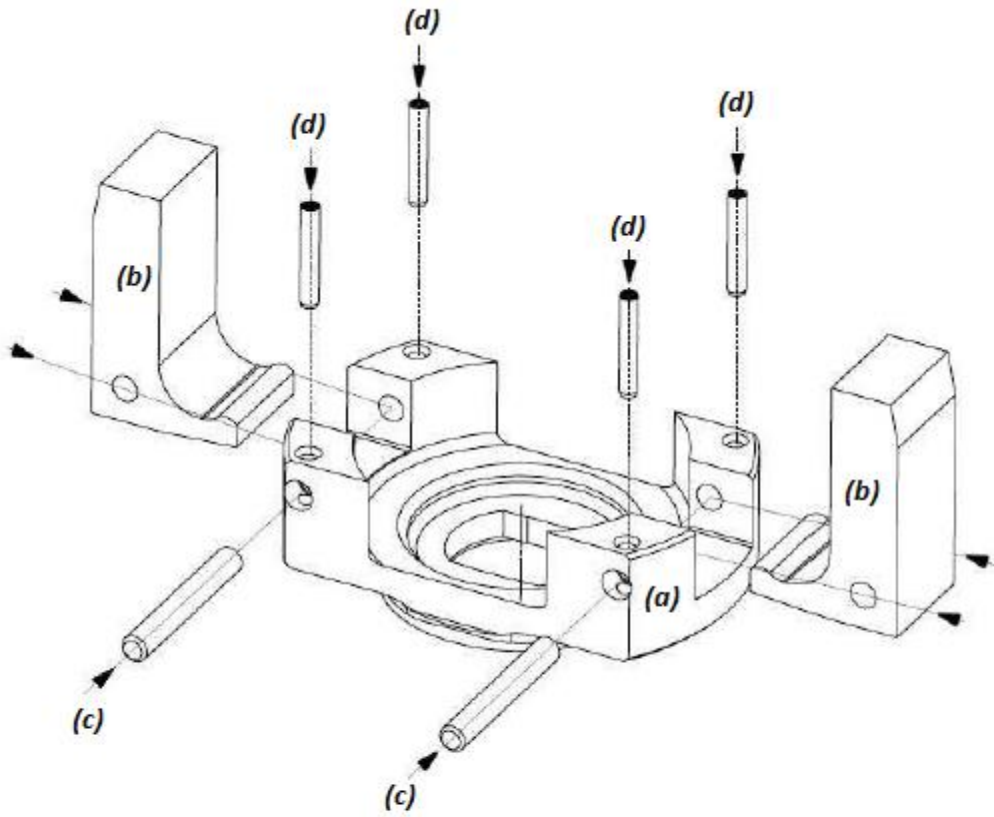
AT1438504 is a direct replacement for the AT1438426 Flyweight assembly and does not change fit, form, or function of the PCU5000 governor.

APPROVAL: FAA approval has been obtained on technical data in this publication that affects product type design.

To obtain satisfactory results, procedures specified in this service information must be accomplished in accordance with accepted methods and prevailing government regulations. Aero Technologies cannot be responsible for the quality of work performed in accomplishing this service information.

Aero Technologies, LLC
595 Telsler Road
Lake Zurich, IL 60047

AT1438504 Flyweight Assembly



- (a) AT1430685, Flyweight head**
- (b) AT1430522, Flyweight (requires 2)**
- (c) AT4420170, Needle (requires 2)**
- (d) AT4402020, pin (requires 4)**